

Control unit C-58

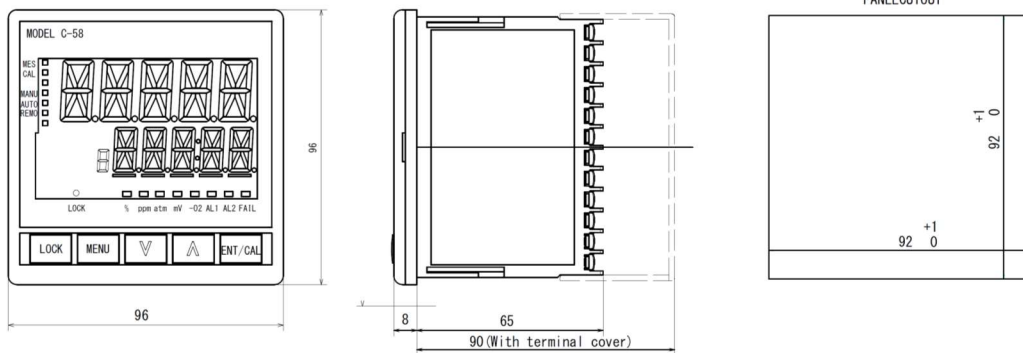


Feature

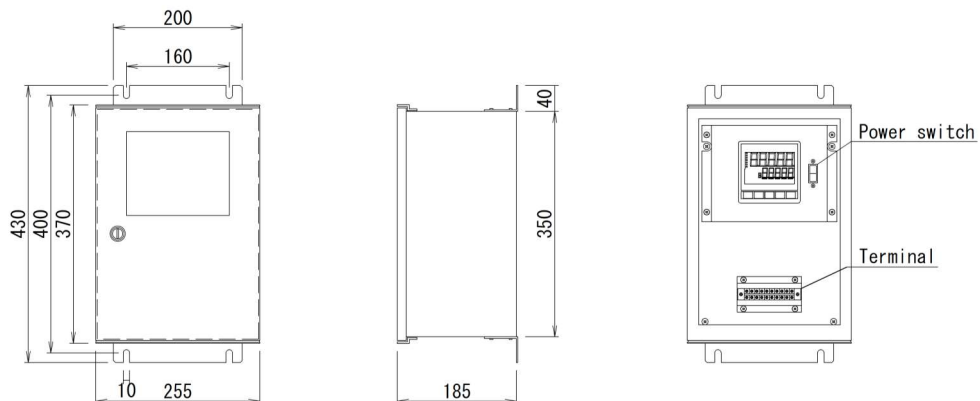
- Compact and useful DIN size (96mm×96mm, approx.. 300g)
- Free scale range
- Good visibility, large display
- Normally equipped RS-485, MODBUS communication
- Stable concentration by improved thermal control

Diagram drawing

Panel mount type



Wall mount type



Specification

This is an instrument which controls sensor's temperature and converts the cell EMF to oxygen concentration, signal output etc. with our zirconia oxygen sensor.

| | | |
|----------------------|---|--|
| Dimensions | 96W×96H×65D (90D with terminal cover) | |
| Weight | Approx. 330g | |
| Power | 100~240VAC 50/60Hz | |
| Display | Segment type LCD | |
| | Upper 5 digits · Lower 5 digits · Status lamp 14pcs | |
| Range | 1~3 (Possible to set freely in the display range) | |
| Display ranges | % | 0.00~100.00 or 0.0~100.0 (0.00~200.00 or 0.0~200.0) |
| | ppm | 0.0~9999.9 or 0.00~999.99 (0.0~9999.9) |
| | atm | -35.00~0.00 (-37.00~0.30) |
| | mV | -100.0~1500.0 (-150.0~1550.0) |
| | -O ₂ % | -20.00~100.00 (-30.00~200.00) |
| Contact input | Input | 4 points |
| | Function | ① Output hold |
| | | ② Remote calibration (Easy calibration by air) |
| | ③ Remote range | |
| Output | DCA | D.C.4~20mA |
| | DCV | D.C.0~1V、0~5V、0~10V (Choose one either) |
| Contact output | points | Relay contact 3 pcs (A contact) · Open collector 2 pcs |
| | Function | ① Concentration alarm (Selectable Hi/Lo, Hi/H · Hi, Lo/L · Lo) |
| | | ② Failure alarm (Sensor temp. failure)) |
| | | ③ Range answer |
| ④ Measurement status | | |
| Communication | RS-485、MODBUS/RTU | |
| Range select | Manual/ Auto/ Remote | |
| Others | Cell EMF display, Sensor temp. display, Key lock function | |

※For the improvement, the specification and design may be changed without prior notice.

Inquiry



Daiichi Nekken Co.,Ltd

13-22 Nishikura-Cyo, Ashiya-City,
Hyogo-Prefecture, Japan ZIP:659-0026
TEL 0797-31-2410 / FAX 0797-31-8951
URL <http://www.daiichinekken.co.jp>
E-mail info@daiichinekken.co.jp